

Wiring Diagrams for Small (1.5-15 HP) SL/SLV pumps

61R-3 phase, 230/460V, 60Hz without WIO (Water-in-Oil) Sensor:

- Connect 230V pumps using the low-voltage (delta) connection.
- Connect 460V pumps using the high-voltage (star) connection.

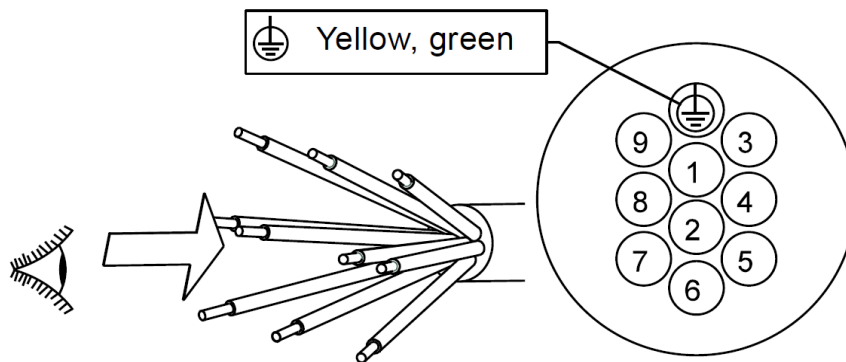


Fig. 1 Wiring Diagram, 10 core cable.

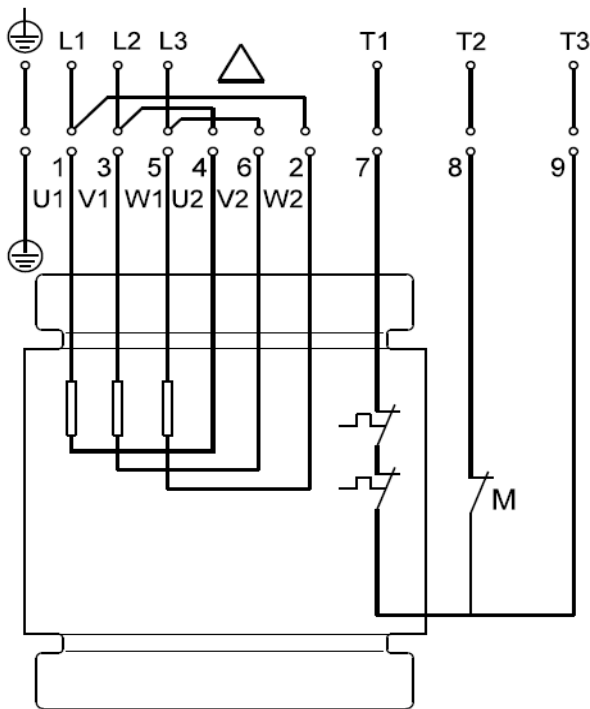


Fig. 2 Standard version with Thermal Switches and Moisture Switch wired in low-voltage (delta) connection.

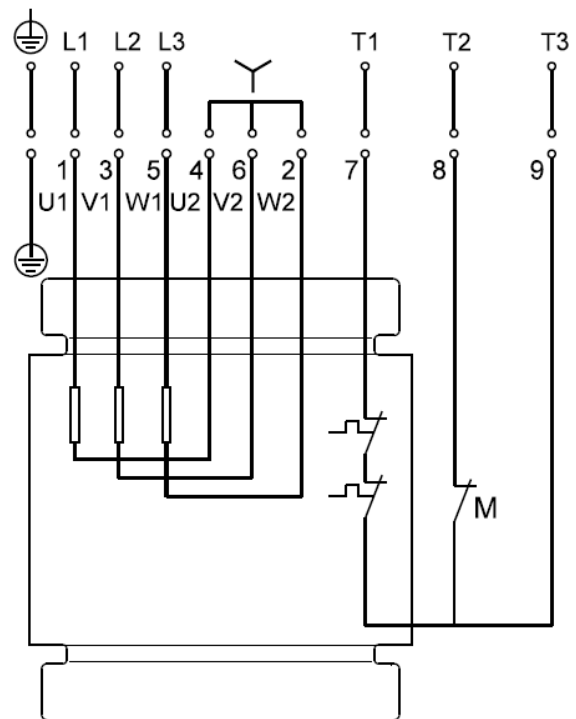


Fig. 3 Standard version with Thermal Switches and Moisture Switch wired in high-voltage (star) connection.

Wiring Diagrams for Small (1.5-15 HP) SL/SLV pumps

61R-3 phase, 230/460V, 60Hz with WIO (Water-in-Oil) Sensor:

- Connect 230V pumps using the low-voltage (delta) connection.
- Connect 460V pumps using the high-voltage (star) connection.

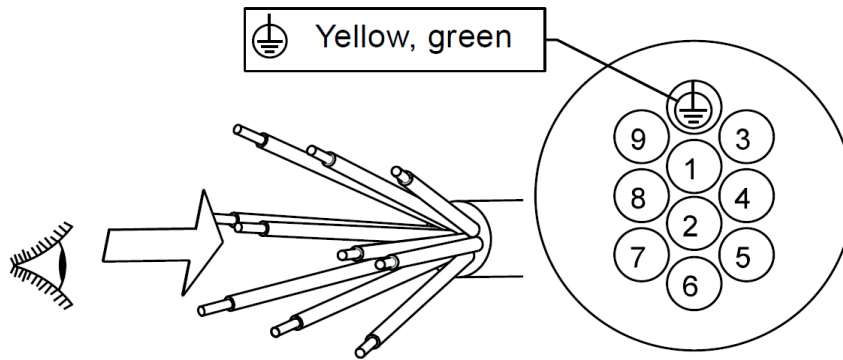


Fig. 1 Wiring Diagram, 10 core cable.

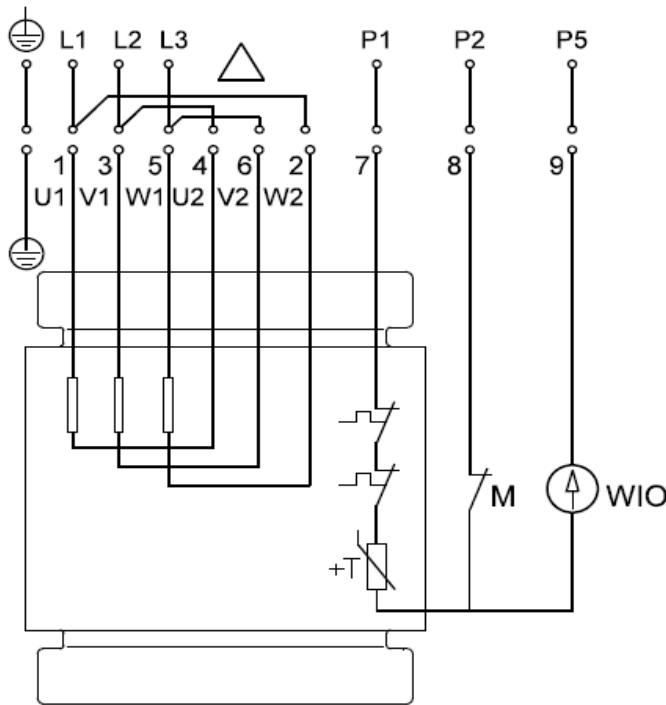


Fig. 4 Sensor version with Thermal Switches, PT 1000 Resistor, Moisture Switch and Water-in-oil (WIO) sensor wired in low-voltage (delta) connection.

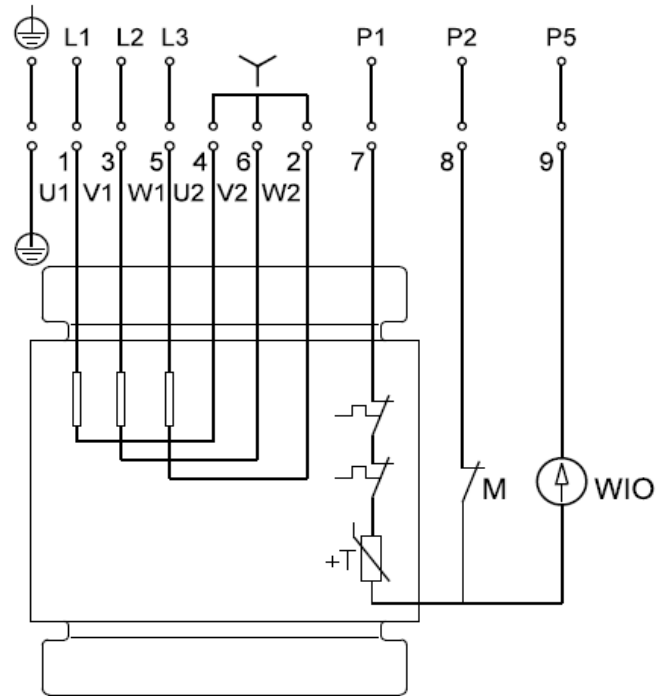


Fig. 5 Sensor version with Thermal Switches, PT 1000 Resistor, Moisture Switch and Water-in-oil (WIO) sensor wired in high-voltage (star) connection.

Wiring Diagrams for Small (1.5-15 HP) SL/SLV pumps

60J-3phase, 208V, 60Hz without / with WIO (Water-in-Oil) Sensor:

- Connect 208V as a Direct Online (DOL) connection.

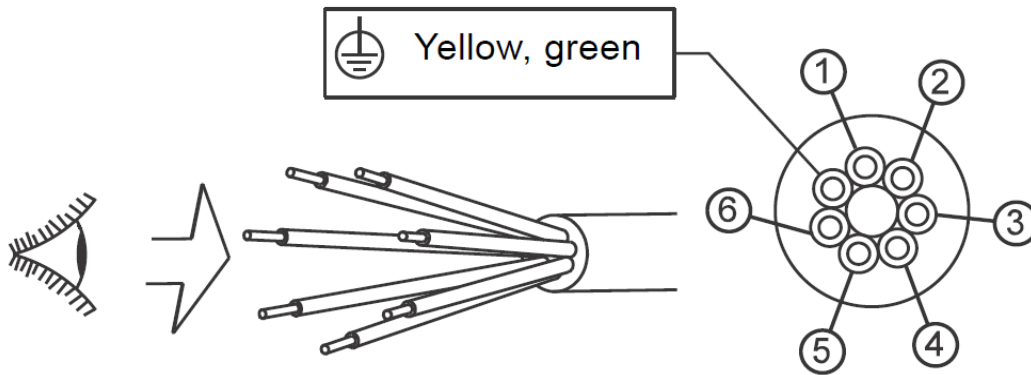


Fig. 6 Wiring Diagram, 7 core cable, Direct Online (DOL).

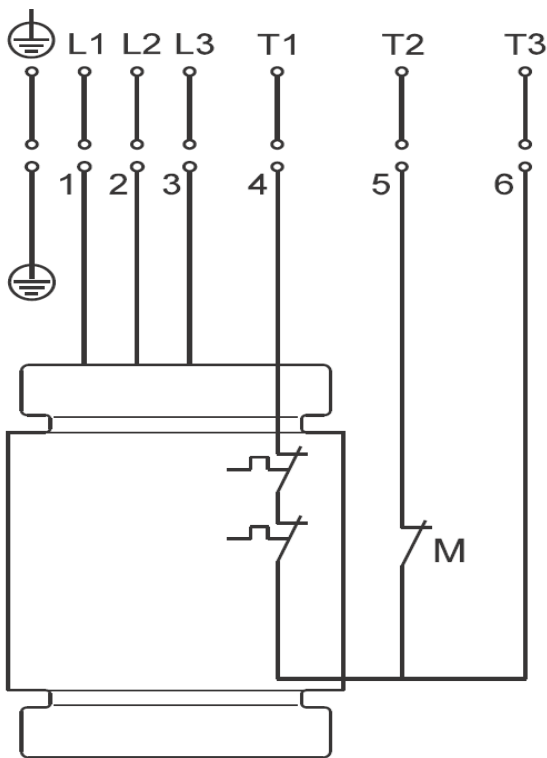


Fig. 7 Standard version with Thermal Switches and Moisture Switch without WIO (Water-in-Oil) Sensor.

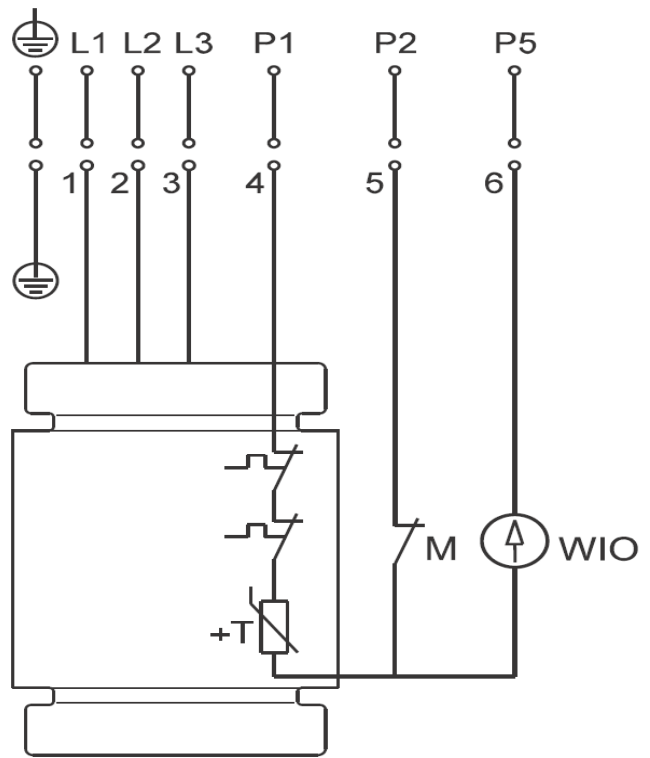


Fig. 8 Sensor version with Thermal Switches, PT1000 resistor and Moisture Switch with WIO (Water-in-Oil) Sensor.

Wiring Diagrams for Medium (12-42 HP) SL/SLV-SE/SEV pumps

60S/61R/61G - 3 phase, 208-230/460V, 60Hz-with Thermal switches / PTC sensors

- Connect 208/230V pumps using the low-voltage (delta) connection.
- Connect 460V pumps using the high-voltage (star) connection.

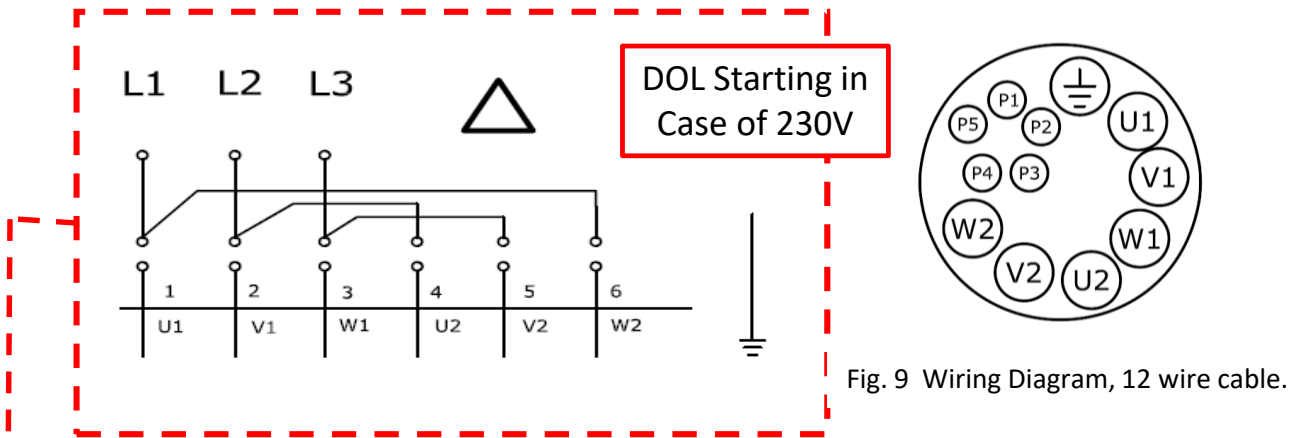


Fig. 9 Wiring Diagram, 12 wire cable.

Fig. 10 Wiring Diagram for 60S/61R, 3 X 208/230V Delta Start.

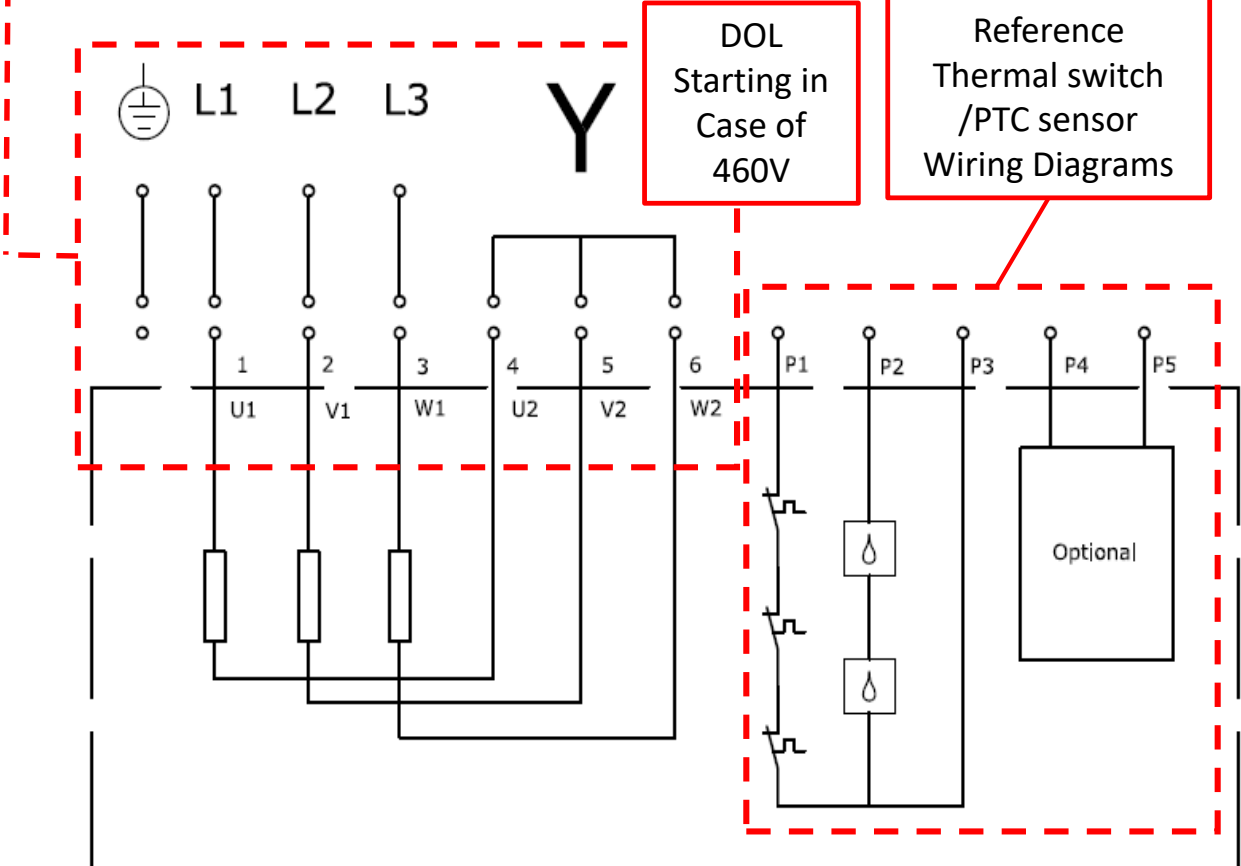


Fig. 11 Wiring Diagram for 61R/61G, 3 X 460V Star Start.

Wiring Diagrams for Medium (12-42 HP) SL/SLV-SE/SEV pumps

Thermal switch & PTC sensor Wiring Diagrams

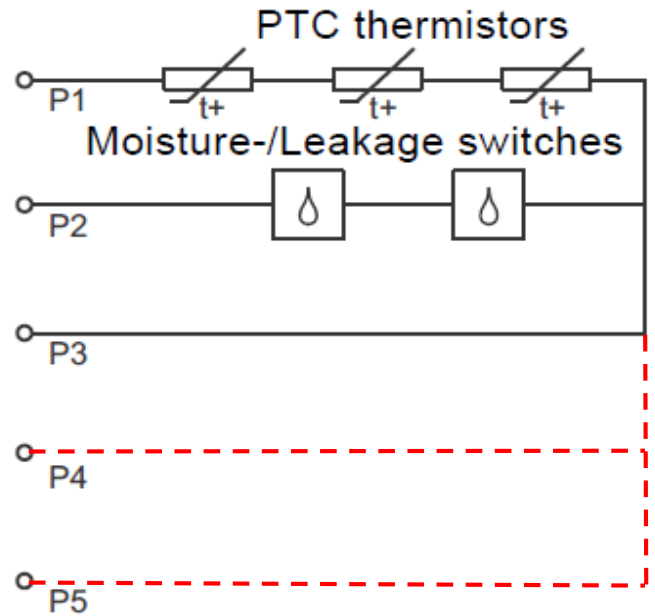
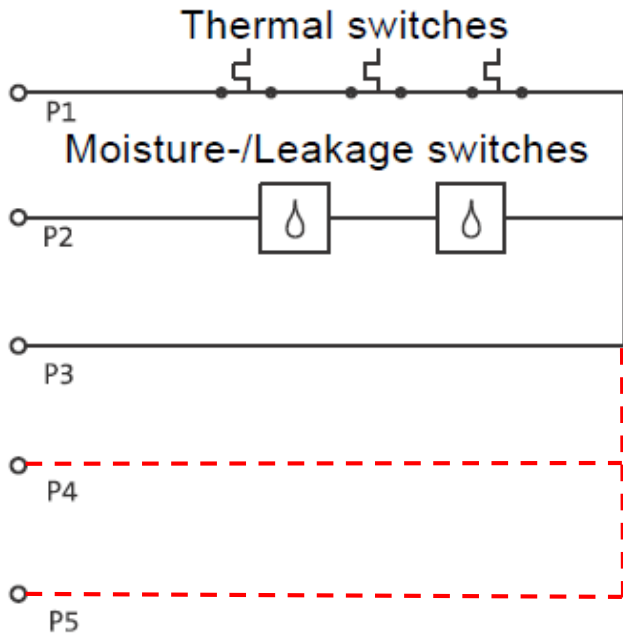


Fig. 12 Standard / Explosion Version with Thermal switches.

Fig. 13 Standard / Explosion Version with PTC Sensors.

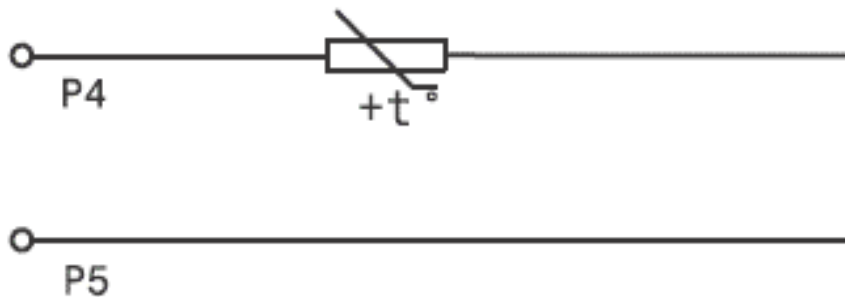


Fig. 14 Standard /Explosion Versions with Sensor Version 1.

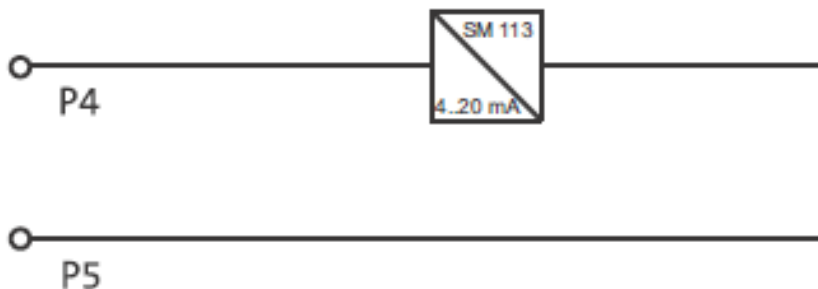


Fig. 15 Standard /Explosion Versions with Sensor Version 2.

Wiring Diagrams for Medium (12-42 HP) SL/SLV-SE/SEV pumps

Connection for Pump with EMC cable. Main supply voltage must be communicated at time of order as pump will be wired at the factory.

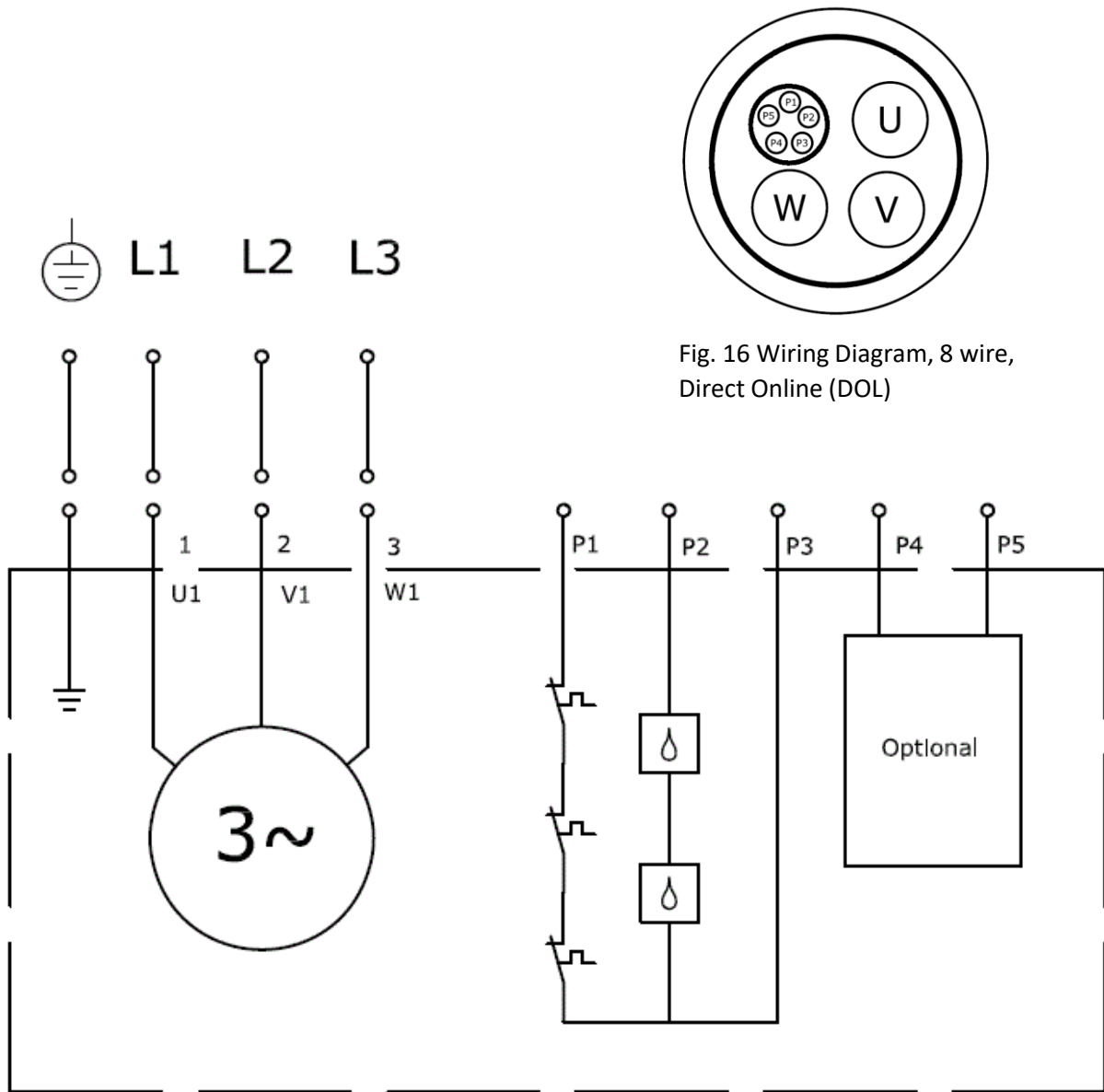


Fig. 16 Wiring Diagram, 8 wire,
Direct Online (DOL)

Fig. 17 Wiring Diagram for EMC cable version with Thermal
Switches and Moisture/Leakage Switches Direct Online (DOL)