

Inquiry form: Grundfos BMSX

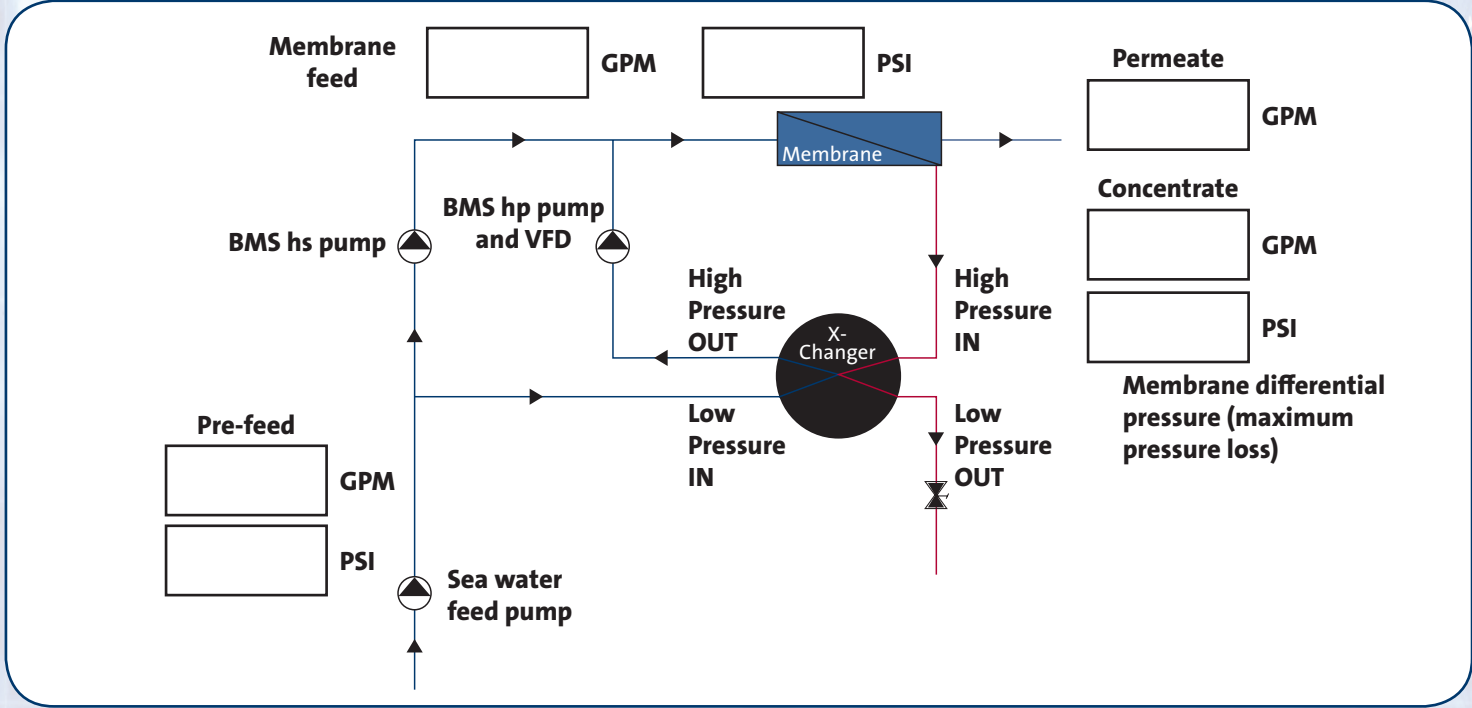


Contact information

Company:	Project:
Name:	Email:
Date:	

Pump information

Ambient temperature:	°F	Liquid Temperature:	°F
Voltage:	V	Frequency:	Hz
Density:	LB/FT ³	Chlorides:	PPM



The name Grundfos, the Grundfos logo, and be:think:innovate are registered trademarks owned by Grundfos Holding A/S or Grundfos A/S, Denmark. All rights reserved worldwide.

L-BM-TL-005 01/19 (US)