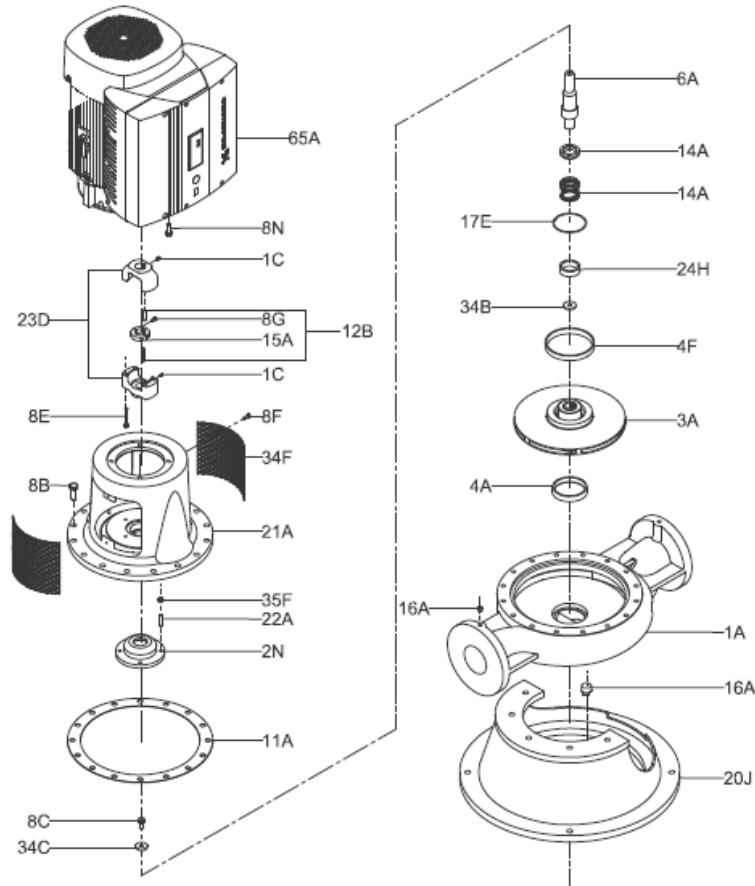


PACO VLSE



TM06 1076 1514

Pos.	Description	Pos.	Description
1A	Volute	14A*	Seal assembly
1C	Set screw	15A	Locating ring
2N	Seal cap	16A	Pipe plug
3A*	Impeller	17E	Seal cap o-ring
4A*	Case wear ring	20J	Cast iron stand
4F	Balance ring	21A	Motor bracket
6A	Pump shaft	22A	Seal cap studs
8B	Volute screw	23D	Coupling halves
8C	Pump shaft screw	24H	Bushing
8E	Coupling screw	34B*	Impeller washer
8F	Coupling guard screw	34C	Pump shaft washer
8G	Locating ring screw	34F	Coupling guard
8N	Motor screw	35F	Seal cap nut
11A*	Volute gasket	65A	Motor
12B	Coupling key		

* Recommended spare parts