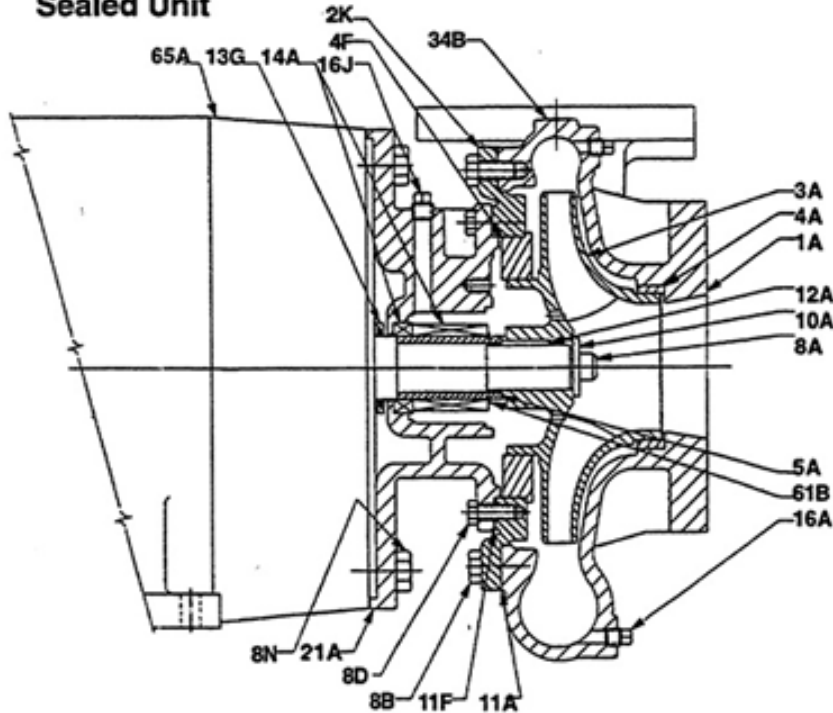
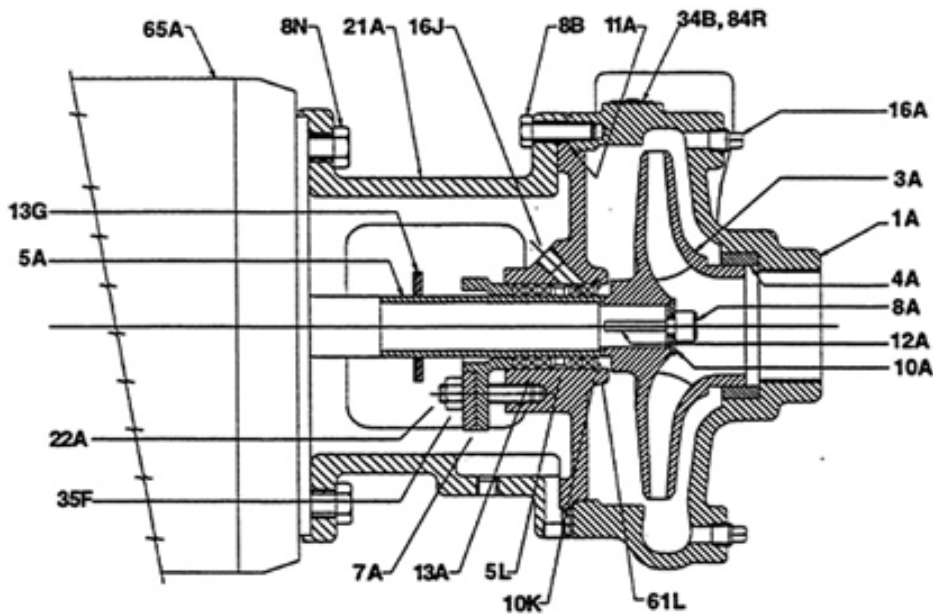


# PACO LC

**Sealed Unit**



**Packed Unit**



**Typical Flanged & Threaded Pumps With Mechanical Seals or Packing.**

Key No.	Description
1A	Casing
2K	Backplate
3A	Impeller
4A	Front Case Wear Ring
4F	Rear Case Wear Ring
5A	Shaft Sleeve
*5L	Lantern Ring
*7A	Packing Gland
8A	Impeller Capscrew
8B	Capscrew, Casing
8D	Capscrew, Bracket
8N	Capscrew, Motor
10A	Washer, Impeller
*10K	Washer, Packing
11A	Gasket, Casing
11F	Gasket, Backplate
12A	Key
*13A	Packing
13G	Slinger
14A	Mechanical Seal
16A	Plug, Drain
16J	Plug, Stuffing Box
21A	Bracket
*22A	Stud, Packing Gland
34B	Nameplate
*35F	Nut, Packing Gland
61B	Snap Ring
*61L	Retaining Ring
65A	Motor
84R	Set Screws

\* Packed Pumps Only