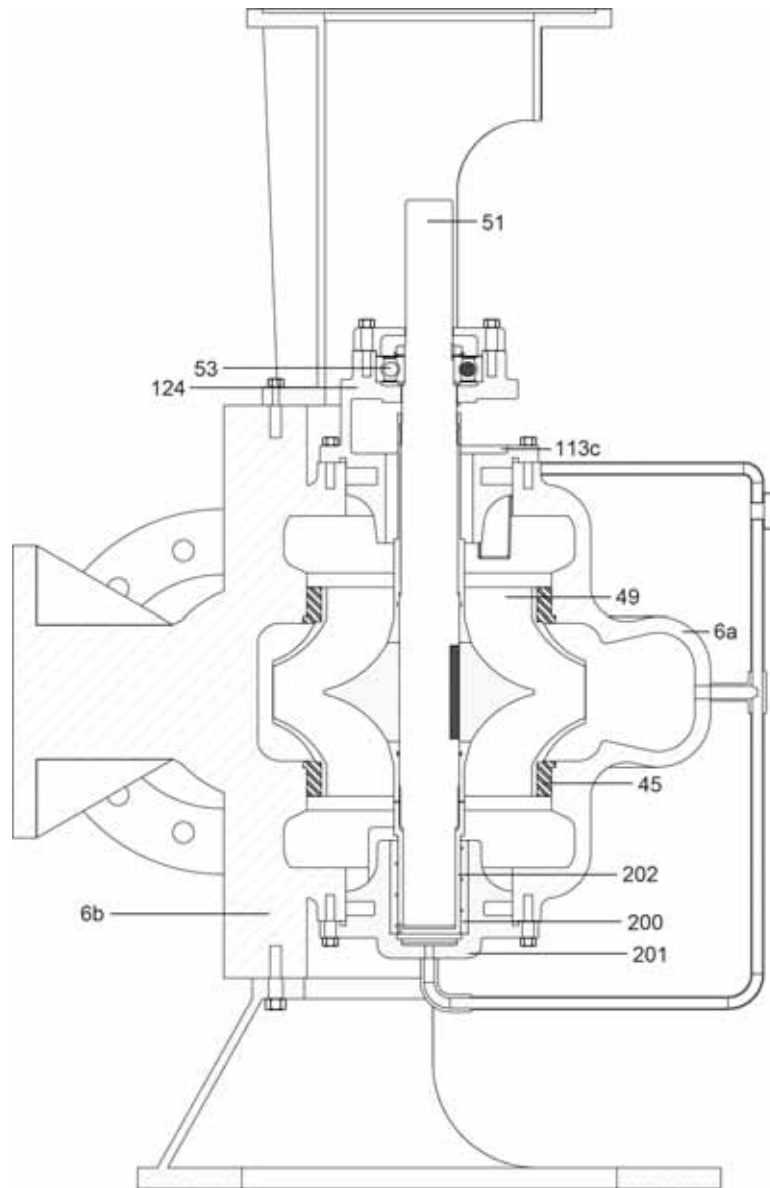


PACO KPV



TM05 9317 3713

Pos.	Component	Material	ASTM standard
6a	Pump housing, upper	Cast iron	ASTM A48 CL35
6b	Pump housing, lower	Cast iron	ASTM A48 CL35
45	Wear ring	Bronze	ASTM B148, C95200
49	Impeller	Silicon bronze	ASTM B584, C87600
51	Shaft	Steel	AISI 1144 Stress proof
53	Ball bearing, drive end	Steel	
113c	Bearing cover, drive end	Cast iron	ASTM A48, CL30
124	Bearing housing	Cast iron	ASTM A48 CL30
200	Sleeve bearing	Graphalloy	Grade GM 343.3
201	Sleeve bearing housing	Cast iron	
202	Lower sleeve	Stainless steel, series 416	