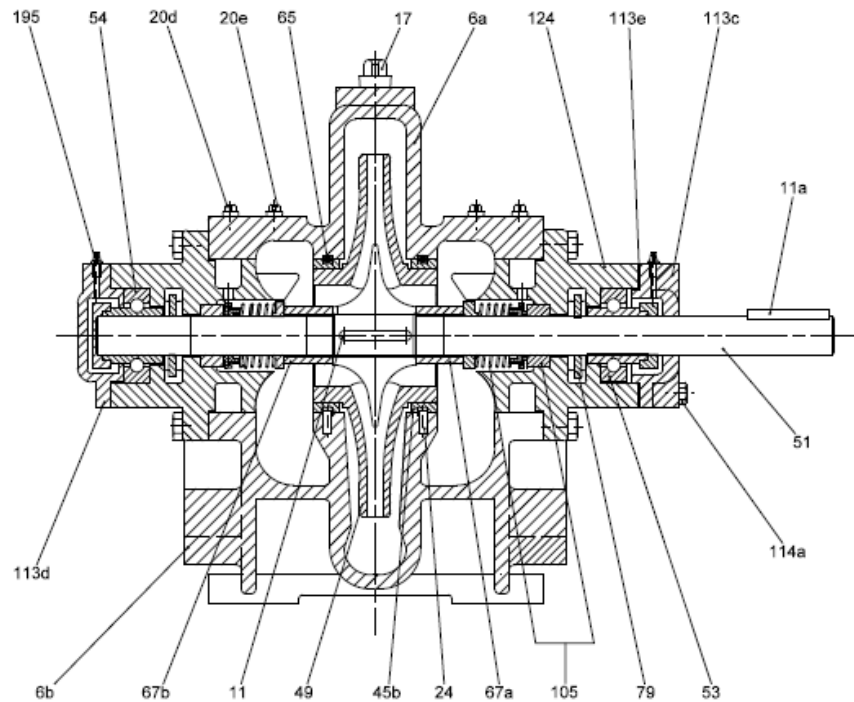


PACO KP



TM03 9952 2512

Pos.	Component	Material	ASTM standard
6a	Pump housing, upper	Cast iron	ASTM A48 CL35
6b	Pump housing, lower	Cast iron	ASTM A48 CL35
11	Key	Steel	C1018, cold drawn steel
11a	Key	Steel	C1018, cold drawn steel
17	Pipe plug	Steel	
20d	Plug, shaft seal flushing	Steel	
20e	Plug, suction chamber	Steel	
24	Locking pin, wear ring	Steel	ANSI/ASME B18.8
45b	Wear ring with groove for retaining ring	Bronze	ASTM B148, C95200
49	Impeller	Silicon bronze	ASTM B584, C87600
51	Shaft	Steel	AISI 1144 Stress proof
53	Bearing, drive end	Steel	
54	Bearing, non-drive end	Steel	
65	Retaining ring	Stainless steel, series 303	
67a	Impeller/shaft sleeve nut, right-hand (RH) thread	Bronze	III932, C89835
	Impeller/shaft lock nut, right-hand (RH) thread	Stainless steel	
67b	Impeller/shaft sleeve nut, left-hand (LH) thread	Bronze	III932, C89835
	Impeller/shaft lock nut, left-hand (LH) thread	Stainless steel	
79	Slinger	Neoprene	
105	Shaft seal		
113c	Bearing cover, drive end	Cast iron	ASTM A48, CL30
113d	Bearing cover, non-drive end	Cast iron	ASTM A48, CL30
113e	Gasket	Vegetable fiber	
114a	Screw	Steel	
124	Bearing housing	Cast iron	ASTM A48 CL30
195	Lubricating nipple	Zinc coated steel	