

Heating System Maintenance Accessories

GRUNDFOS **MagFilter**

Today's high-performance circulators and boilers bring new levels of efficiency and cost savings to homeowners. But they are uniquely vulnerable to a danger lurking in nearly every hydronic heating system – black iron oxide. An unavoidable result of oxidation inside untreated systems, black iron oxide forms on the surface of pipes and components where it deposits into the system water as microscopic particles which combine to form a black sludge. Even in small quantities, these particles can potentially cause expensive damage. As sludge accumulates, system efficiency is dramatically reduced and operating cost increase.

MagFilter features a unique, patented magnetic and non-magnetic filtration system that starts to work from the moment it is installed. Powerful magnetic capture zones extend the operational life of the hydronic heating system by removing virtually all of the suspended black iron oxide sludge buildup and offers a host of other unique benefits.



MagFilter Pro and MagFilter Pro XL

Homeowner Benefits

- Long-term system protection for peace of mind
- Reduced maintenance costs
- Extends system life

Installer Benefits

- Compact profile for tight spaces
- Rapid in line installation
- Integral flow-diverters ensure 360 distribution for uniform flow around magnets, maximizing sludge capture
- Powerful permanent magnet
- Captures non-magnetic debris
- Quick release trigger and rapid fit connectors for servicing and re-installation in seconds
- Low profile drain valve and built in air vent for easier maintenance
- Easy dosing of treatment products via canister



MagFilter Dual XL

APPLICATIONS

- Residential hydronic heating systems
- Light commercial hydronic heating systems

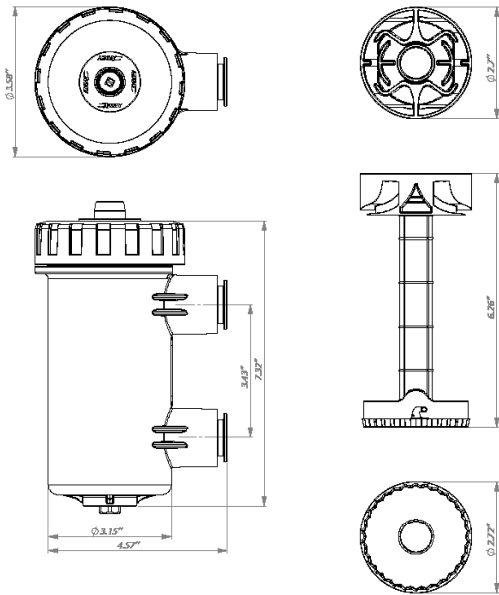
MagFilter Technical Data

Specification	MagFilter Pro	MagFilter Pro XL	MagFilter Dual XL
Connection size:	3/4" Conn. (1" option)	1" Conn. (1.25" option)	1.5" Conn.
Working press (PSI) Working temp. (F)	87 / 203	87 / 203	87 / 203
Max flow rate (gpm):	13.2	21.1	26.4
Dimensions (L x W x H)	5.7" x 3.1" x 7.6"	4.1" x 3.1" x 10.1"	7.6" x 5" x 10.8"
Weight (lbs.)	6.0	7.6	18.2

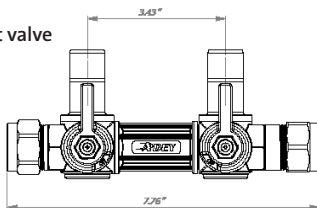
MagFilter Pro

Canister

Non-magnetic cover



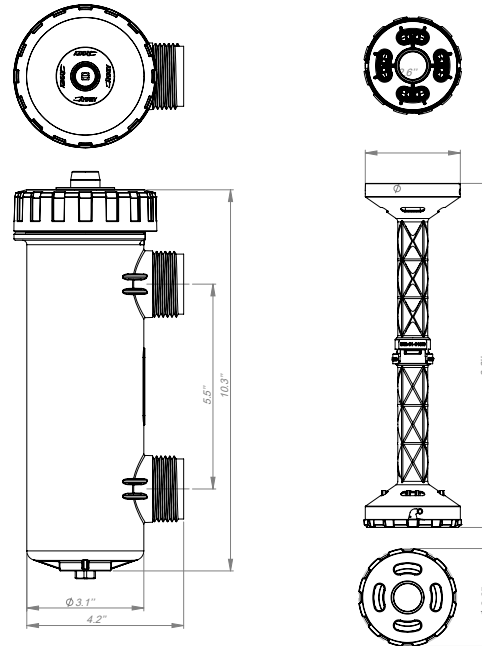
Inlet/outlet valve



MagFilter Pro XL

Canister

Non-magnetic cover



MagFilter Dual XL

