



Configurable Dosing Tank Stations

Storing and dosing liquid chemicals

General

Dosing is precision work and one of the main tasks in chemical and process engineering as well as water treatment. DIGITAL DOSING™ pumps are delivering an optimal performance in these business fields.

The selection of a dosing pump and the suitable accessories require systematic and well-conceived adjustment to all process parameters.

As they are easy to install, dosing tank stations are the first choice in the matter of economic efficiency when adding liquids as coagulants, disinfectants or neutralising agents in a precise and controlled way to a process.

Dosing tank stations are intended for storing and dosing liquid chemicals. Many different configurations can be selected and applied flexibly to fulfil various dosing tasks. Due to the use of high-quality materials, dosing tank stations can be employed universally for diverse dosing liquids. The selection of materials can be adapted via the configuration.

Components and features

- Chemically resistant tank made of UV-stabilised, semitransparent or black polyethylene, in 6 sizes from 15 up to 264 gallons, with embossed liter scale and PE screw cover
- Optional PE collecting tray
- Optional handheld mixer or electric mixer with level switch for dry-running protection.

- Rigid suction lance or foot valve made of PE, with 2-step level switch for dry-running protection, suction line to the dosing pump
- PVC or PP injection unit with 1/2" NPT process connection
- 33 ft PE or PVC discharge line
- Optional drain valve
- Optional tank inlet valve or dissolving hopper
- Multi-function valve
- Preparation and installation material for assembly of a dosing pump

Dosing pumps are not comprised in a standard delivery. They can be selected according to customer demands from the ranges DDA, DDC, DDE, DDI 60-10 or DMX 221, and have to be ordered separately.

Applications

- Dosing biocides and inhibitors in cooling water
- Dosing lyes and acids for pH regulation
- Dosing coagulants such as ferric (II/III) chloride for waste water treatment
- Dosing hypochlorite
- Dosing cleaning agents and disinfectants (CIP, cleaning machines)

Type key DTS

Example	DTS	100	T	1	0	3	4	RE	E	4	A	0	H
Product type	DTS Dosing Tank Station												
Tank size	15 15 gallons 26 26 gallons 52 52 gallons 79 79 gallons 13 13 gallons 264 264 gallons												
Tank color	T Transparent tank with black lid B Black tank with black lid												
Catchment tank	0 Without 1 Collecting tray												
Screw cover	0 Screw cover without lock												
Handheld mixer / Electric mixer*	0 Without 1 Handheld mixer, PE 2 Electric mixer, stainless steel shaft 3 Electric mixer, PP-coated shaft with sealing flange												
Dosing pump type preparation**	0 Without 1 Preparation for DMX 221 up to 50 l/h 3 Preparation for DDI 60-10 4 Preparation for SMART Digital DDA, DDC, DDE												

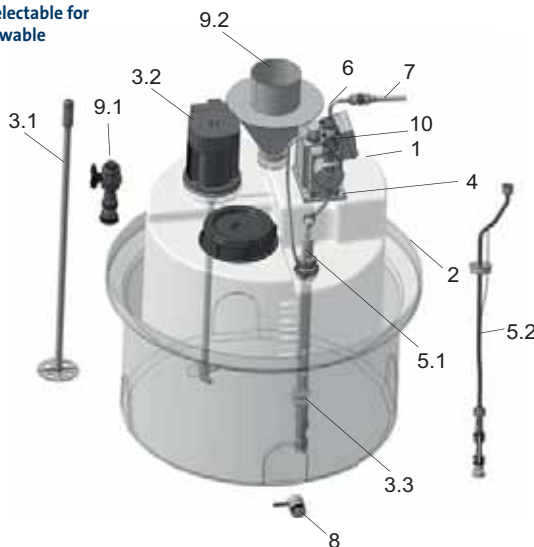
* Electric mixer motors are generally single phase, voltages and frequencies are:

115/208-230V 60Hz for gallon tanks

** Dosing pump type preparation has influence on hose dimensions:

DDI 60-10 comes with PE-tubing 3/8"x1/2" on suction side
all other selections have PE-tubing 1/4"x3/8" on suction side

discharge tubing 0.17"x1/4" is only selectable for Smart Digital, please check max. allowable flowrate!



Multi-function valve

- A Without
- G Multi-function valve PV/V
- H Multi-function valve PV/E
- I Multi-function valve PV/T

Filling armature / Dissolving hopper

- 0 Without
- 1 Filling armature PVC/E with ball valve
- 2 Dissolving hopper

Drain valve (not with collecting tray)

- 0 Without
- B Drain valve PVC/E

Injection unit (G 1/2 process connection)

- 0 Without
- 1 Injection unit PVC/V/C
- 2 Injection unit PP/V/C
- 3 Injection unit PVC/E/C
- 4 Injection unit PP/E/C
- 5 Injection unit PVC/T/C

Discharge line

- A Without
- F 33 ft PE-tubing 0.17" x 1/4" (up to 2 gph)
- G 33 ft PE-tubing 1/4" x 3/8" (up to 8 gph)

- H 33 ft PE-tubing 3/8" x 1/2" (up to 15.8 gph)

Suction line / Foot valve

- WO Without
- RV Rigid suction lance PE/V
- RE Rigid suction lance PE/E
- RT Rigid suction lance PE/T
- FV Flexible suction line PE/V
- FE Flexible suction line PE/E
- FT Flexible suction line PE/T

Components overview

- 1 Tank
- 2 Collecting tray
- 3.1 Handheld mixer
- 3.2 Electric mixer
- 3.3 Level switch for electric mixer
- 4 Installation material
- 5.1 Rigid suction lance
- 5.2 Foot valve with flexible suction line
- 6 Discharge hose
- 7 Injection unit
- 8 Drain valve
- 9.1 Filling armature with ball valve
- 9.2 Dissolving hopper
- 10 Multi-function valve

GRUNDFOS Kansas City
17100 West 118th Terrace
Olathe, Kansas 66061
Phone: (913) 227-3400
Fax: (913) 227-3500

GRUNDFOS Canada
2941 Brighton Road
Oakville, Ontario
L6H 6C9
Phone: (905) 829-9533
Fax: (905) 829-9512

GRUNDFOS Mexico
Boulevard TLC No. 15
Parque Industrial Stiva Aeropuerto
C.P. 66600 Apodaca, N.L. Mexico
Phone: 011-52-81-8144 4000
Fax: 011-52-81-8144 4010

www.grundfos.us